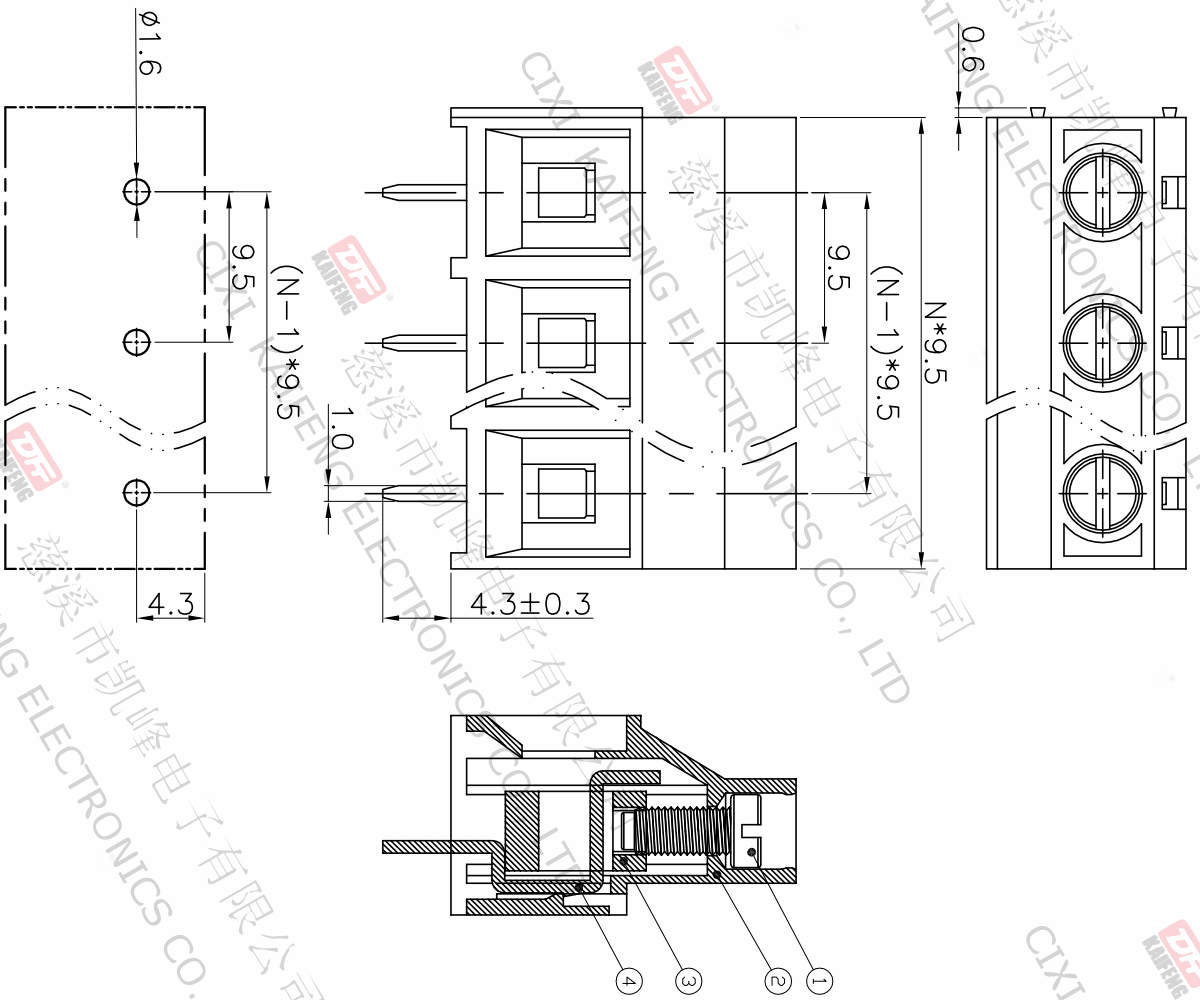
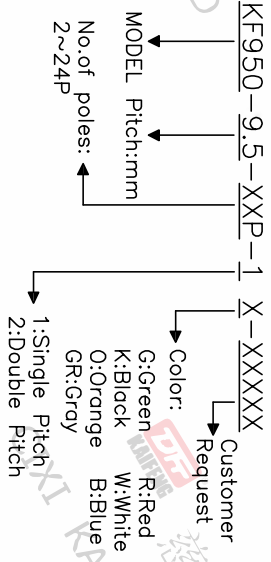


| REV. | DESCRIPTION | DATE       | DRAFTER | APPROVER |
|------|-------------|------------|---------|----------|
| A1   | DWG.REL     | 2020.05.22 | DENG    | JIN      |

- Material
  - ØScrews : M3.0 steel, Zinc plated,
  - \*-\* slot type
  - ØHousing : PA66, UL94V-0
  - ØClamp : Copper alloy, Ni plated
  - ØPin header : Copper alloy, Tin plated
- Electrical
  - UL IEC
  - Rated voltage : 300V 750V
  - Rated current : 30A 41A
  - Contact Resistance: 20mΩ
  - Insulation resistance: 500MΩ/1000V
  - Withstanding Voltage : AC3000V/1min
  - Wire range: 26-10AWG 6.0mm<sup>2</sup>
- Mechanical
  - Operating temperature: -40°C ~ +105°C
  - Soldering temperature: 250°C ±5/5sec
  - Torque: 0.5N.m (4.43lb.in)
  - Strip length: 6-7mm
- RoHS compliance

HOW TO ORDER



P.C.B.LAYOUT

| Pitch range | Nominal dimension range | PROJECTION |
|-------------|-------------------------|------------|
| >0          | >0                      | 0.1/10     |
| ~6          | ~30                     | 0.1/10     |
| ~10         | ~60                     | 0.1/10     |
| ~24         | ~100                    | 0.1/10     |
| ~30         | ~150                    | 0.1/10     |
| ±0.15       | ±0.30                   | ±2°        |
| ±0.20       | ±0.50                   | ±2°        |
| ±0.30       | ±0.70                   | ±2°        |
| ±0.50       | ±1.00                   | ±2°        |
| ±1.00       | ±1.30                   | ±2°        |

| DRAWING TYPE | CUSTOMER DRAWING | SHEET | 1 OF 1 |
|--------------|------------------|-------|--------|
| SCALE        | 1:1              | SHEET | 1 OF 1 |
| DRAWING NO.  | W15000822        | SHEET | 1 OF 1 |

**DF** 慈溪市凯峰电子有限公司  
CIXI KAIFENG ELECTRONICS CO.,LTD

