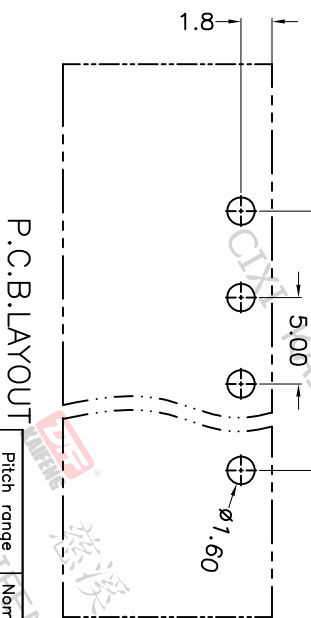
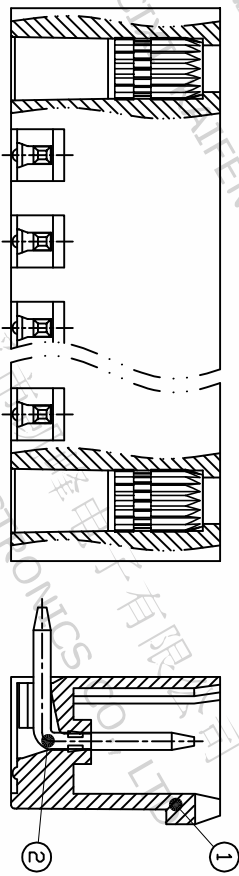
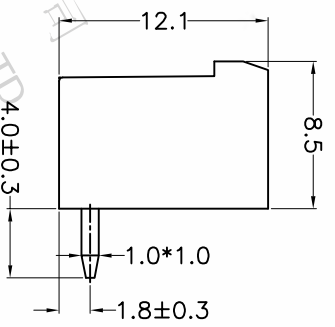
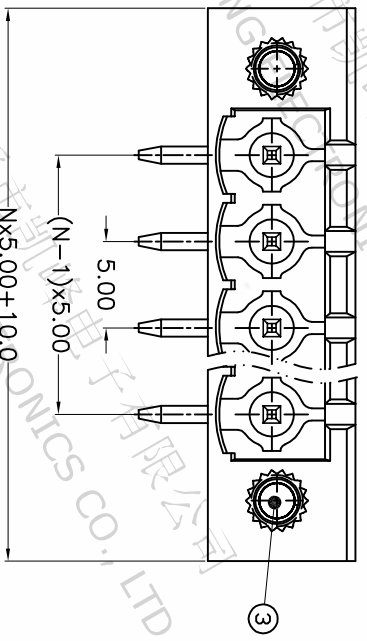
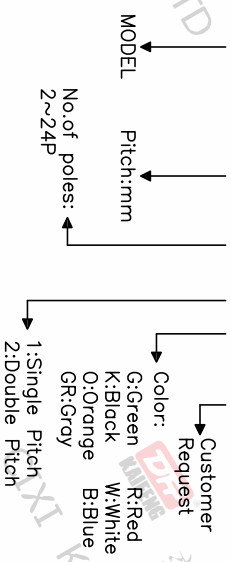


REV.	DESCRIPTION	DATE	DRAFTER	APPROVER
A1	DWG.REL	2020.5.20	ZHANG	JIN



- Material
 - ①Housing : PA66, UL94V-0
 - ②Pin header : Copper alloy, Tin plated
 - ③Nut : M2.5,Copper alloy
- Electrical
 - UL IEC
 - Rated voltage : 300V 320V
 - Rated current : 15A 20A
 - Contact resistance : 20mΩ(Max)
 - Insulation resistance: 500MΩ/DC500V
 - Withstanding Voltage : AC2000V/1min
- Mechanical
 - Operating temperature: $-40^{\circ}\text{C} \sim +105^{\circ}\text{C}$
 - Soldering temperature: $250^{\circ}\text{C} \pm 5 / 5\text{sec}$
- RoHS compliance

HOW TO ORDER
KF2EDGRM-X-5.0-XXP-1 X-XXXXX



Pitch range	Nominal dimension range	0.1/10	±2°
>0	>30	0.1/10	±2°
>6	>60	0.1/10	±2°
>10	>100	0.1/10	±2°
~	~	~	~
6	30	~	~
10	60	~	~
24	100	~	~
±0.15	±0.30	±0.50	±1.00
±0.20	±0.30	±0.50	±1.30

DRAWING TYPE	CUSTOMER DRAWING
SCALE	1:1
SHEET	1 OF 1
DRAWING NO.	W10001622

PROJECTION	UNIT	TITLE
UNIT	mm	KF2EDGRM-X-5.0-XXP-1X
SHEET SIZE	A4	SERIES KF2EDGRM-X

DF 慈溪市凯峰电子有限公司
CIXI KAIFENG ELECTRONICS CO.,LTD