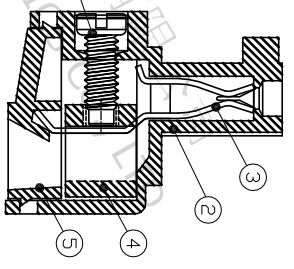
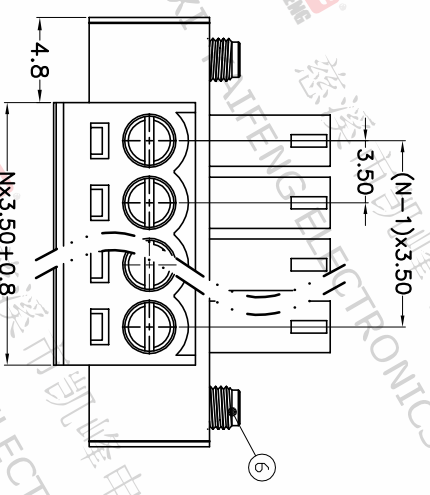
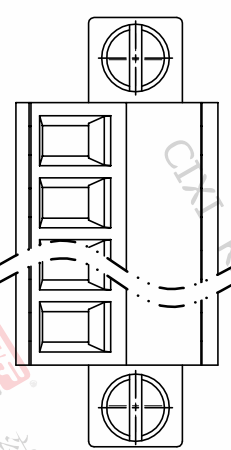
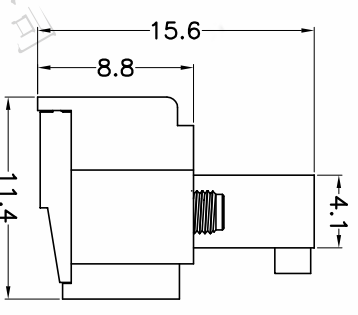
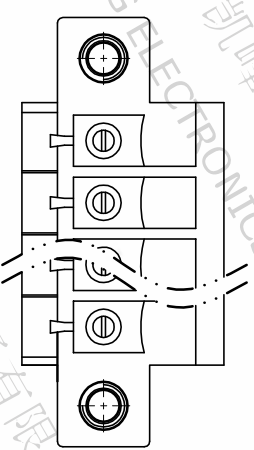


REV.	DESCRIPTION	DATE	DRAFTER	APPROVER
A1	DWG.REL	2020.6.02	ZHANG	JIN



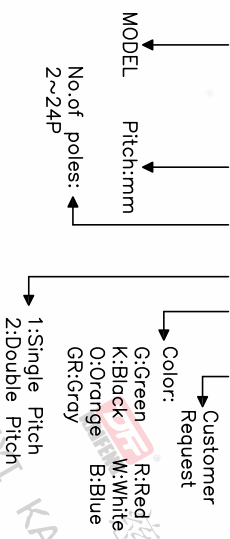
- Material
  - ØScrew : M2.0 steel, Zinc plated, "--" slot type
  - ØHousing : PA66, UL94V-0
  - ØContact : Copper alloy, Tin plated
  - ØClamp : Copper-alloy, Ni plated
  - ØCover : PA66, UL94V-0
  - ØScrew : M2.5 steel, Zinc plated, "--" slot type

- Electrical
  - UL IEC
  - Rated voltage : 300V 250V
  - Rated current : 8A 7A
  - Contact resistance : 20mΩ(Max)
  - Insulation resistance: 500MΩ/DC500V
  - Withstanding Voltage : AC1500V/1min
  - Wire range: 28-16AWG 0.5-1.5mm<sup>2</sup>

- Mechanical
  - Operating temperature:-40°C~+105°C
  - Soldering temperature:250°C±5/5sec
  - Torque: 0.2N.m (1.77Lb.in)
  - Strip length: 6-7mm

• RoHS compliance

HOW TO ORDER  
KF2EDGM-Y-3.5-XXP-1 X-XXXXX



Pitch range	Nominal dimension range	PROJECTION
>0	>6	0.1/10
~	>10	~
6	~	~
10	24	~
~	30	~
±0.15	±0.30	±2°
±0.20	±0.30	±2°
±0.30	±0.50	±2°
±0.50	±0.70	±2°
±1.00	±1.30	±2°

DRAWING TYPE	CUSTOMER DRAWING	SHEET SIZE	TITLE
SCALE	1:1	A4	KF2EDGM-Y-3.5-XXP-1X
DRAWING NO.	W10000702	SHEET 1 OF 1	SERIES KF2EDGM-Y

**DFE** 慈溪市凯峰电子有限公司  
CIXI KAIFENG ELECTRONICS CO.,LTD

