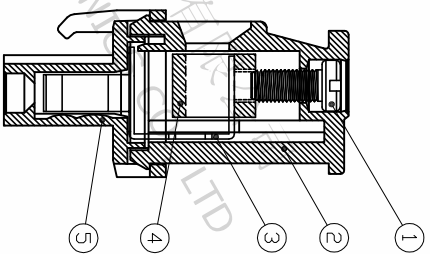
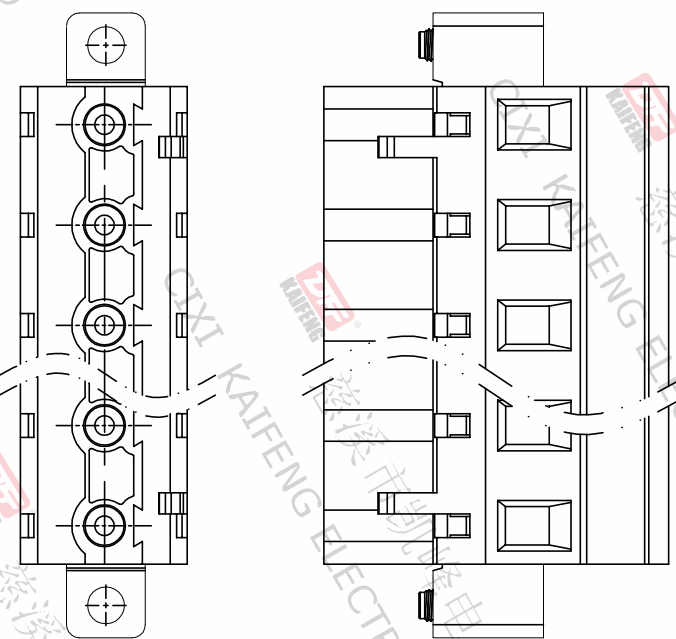
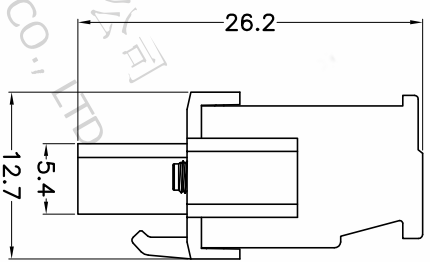
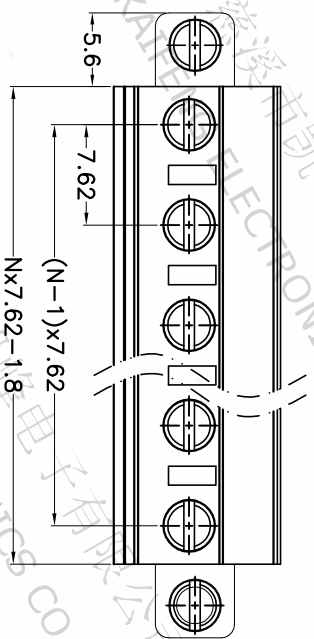


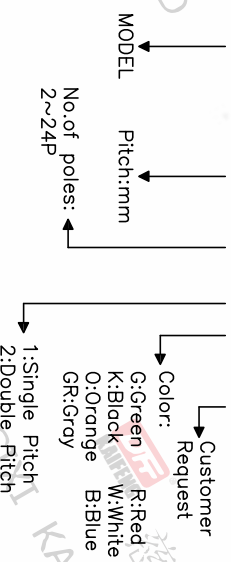
REV.	DESCRIPTION	DATE	DRAFTER	APPROVER
A1	DWG.REL	2020.5.23	ZHANG	JIN



- Material
 - ①Screw : M2.5 steel, Zinc plated, "-" slot type
 - ②Housing : PA66, UL94V-0
 - ③Contact : Copper alloy, Tin plated
 - ④Clamp : Copper alloy, Ni plated
 - ⑤Cover : PA66, UL94V-0
- Electrical

UL	IEC
Rated voltage : 300V	400V
Rated current : 15A	18A
Contact resistance : 20mΩ(Max)	
Insulation resistance : 500MΩ/DC500V	
Withstanding Voltage : AC2500V/1min	
Wire range : 28-12AWG	2.5mm ²
- Mechanical
 - Operating temperature: -40°C ~ +105°C
 - Soldering temperature: 250°C ±5 / 5sec
 - Torque: 0.4N.m (3.54lb.in)
 - Strip length: 7-8mm
- RoHS compliance

HOW TO ORDER
 KEF2EDGKAM-7.62-XXP-1 X-XXXXX



Pitch range	Nominal dimension range	PROJECTION	UNIT
>0	>0	0.1/10	mm
~6	~30		
~10	~60		
~24	~100		
~30	~150		
±0.15	±0.30	±2°	
±0.20	±0.30		
±0.30	±0.50		
±0.70	±1.00		
±1.30	±1.30		

DF 慈溪市凯峰电子有限公司
 CIXI KAIFENG ELECTRONICS CO.,LTD

DRAWING TYPE: CUSTOMER DRAWING
 SCALE: 1:1 SHEET: 1 OF 1
 DRAWING NO.: W10000392

TITLE: KEF2EDGKAM-7.62-XXP-1X
 SERIES: KEF2EDGKAM
 SHEET SIZE: A4