

REV.	DESCRIPTION	DATE	DRAFTER	APPROVER
A1	DWG.REL	2020.6.08	ZHANG	JIN

- Material
 - ①Screw: M2.0 steel, Zinc plated, "-" slot type
 - ②Housing: PA66, UL94V-0
 - ③Contact: Copper alloy, Tin plated
 - ④Clamp: Copper alloy, Ni plated
 - ⑤Cover: PA66, UL94V-0

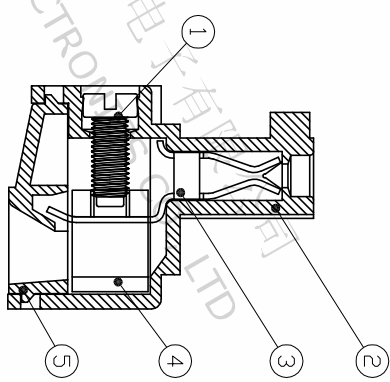
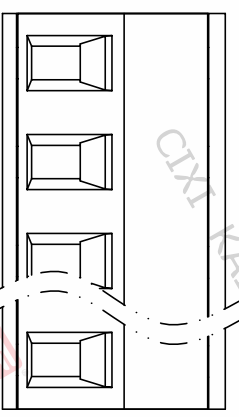
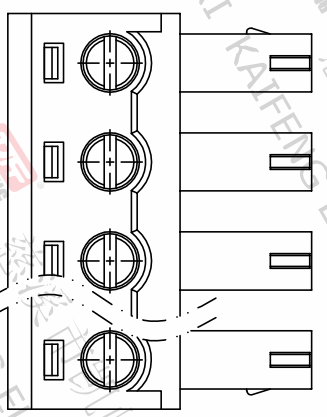
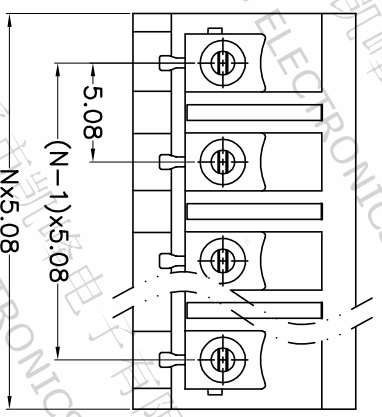
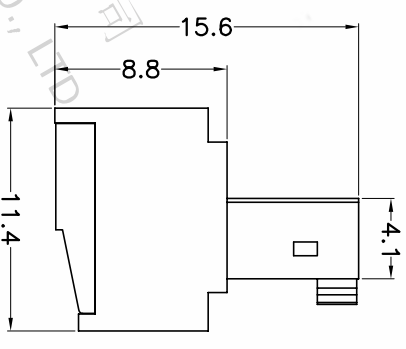
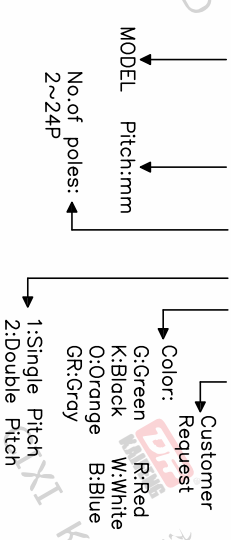
- Electrical

UL	IEC
Rated voltage : 300V	320V
Rated current : 8A	7A
Contact resistance : 20mΩ(Max)	
Insulation resistance: 500MΩ/DC500V	
Withstanding Voltage : AC2000V/1min	
Wire range: 28-16AWG 0.5-1.5mm ²	

- Mechanical
 - Operating temperature: -40°C~+105°C
 - Soldering temperature: 250°C±5/5sec
 - Torque: 0.2N.m (1.77Lb.in)
 - Strip length: 5-6mm

• RoHS compliance

HOW TO ORDER
KF2EDG-Y-5.08-XXP-1 X-XXXXX



Pitch range	Nominal dimension range	Projection	UNIT
>0	>0	0.1/10	mm
~6	~30	0.1/10	mm
~10	~60	0.1/10	mm
~24	~100	0.1/10	mm
~30	~150	0.1/10	mm
±0.15	±0.30	±2°	
±0.20	±0.30	±2°	
±0.30	±0.50	±2°	
±0.70	±1.00	±2°	
±1.30	±1.30	±2°	

DRAWING TYPE	CUSTOMER DRAWING
SCALE	1:1
SHEET	1 OF 1
DRAWING NO.	W10000912

PROJECTION	TITLE
UNIT	KF2EDG-Y-5.08-XXP-1X
SHEET SIZE	A4
SERIES	KF2EDG-Y

DFE 慈溪市凯峰电子有限公司
CIXI KAIFENG ELECTRONICS CO.,LTD