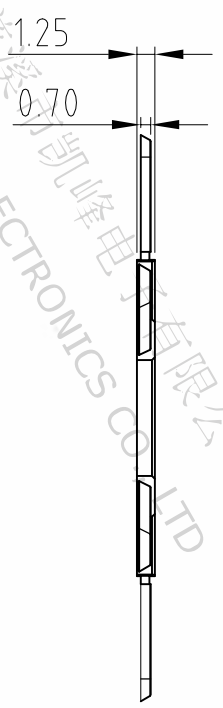
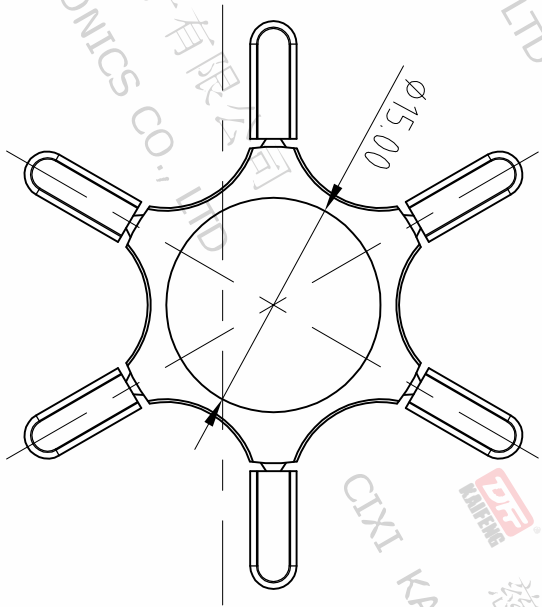
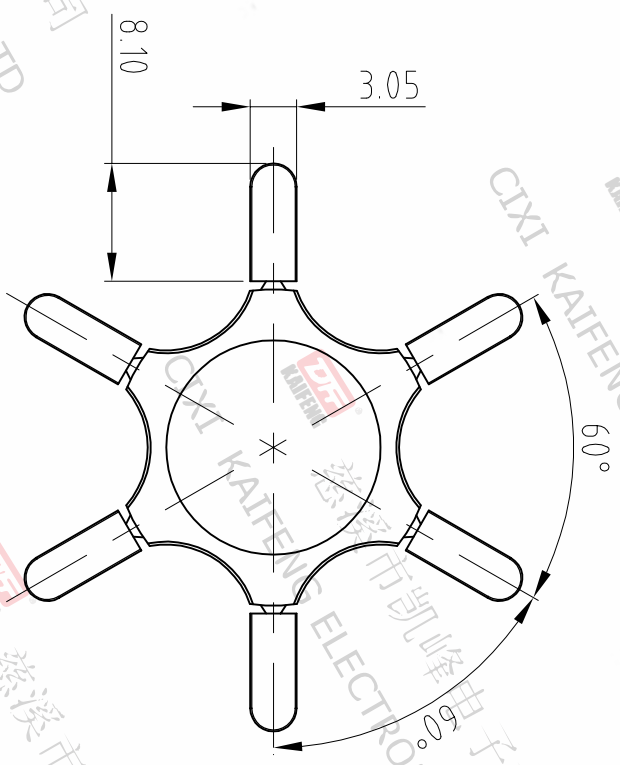



REV.	DESCRIPTION	DATE	DRAFTER	APPROVER
A1	DWG.REL	2020.5.20	ZHANG	JIN

• Material : PA66, UL94V-0
 • RoHS compliance



Pitch range	Nominal dimension range	PROJECTION	UNIT	TITLE
>0	>0	0.1/10	mm	KF2EDG-PJ1
~6	~30			
~10	~60			
~24	~100			
~30	~150			
±0.15	±0.30			
±0.20	±0.50			
±0.30	±0.70			
	±1.00			
	±1.30			
	±2			

DRAWING TYPE	CUSTOMER DRAWING
SCALE	1:1 SHEET 1 OF 1
DRAWING NO.	W10001922
 慈溪市凯峰电子有限公司 CIXI KAIFENG ELECTRONICS CO.,LTD	