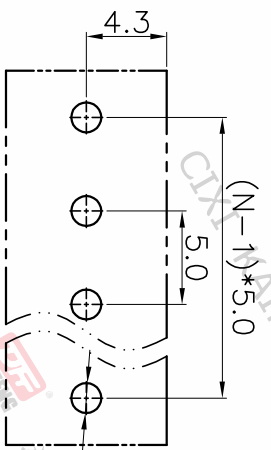
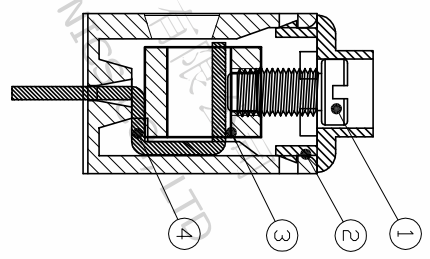
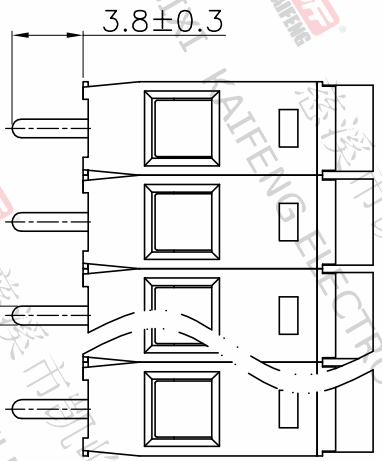
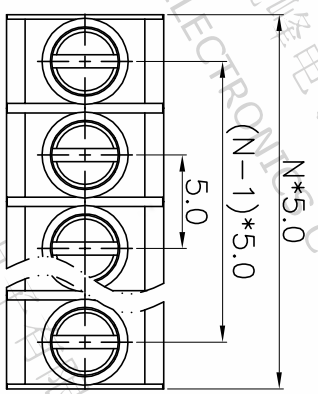


REV.	DESCRIPTION	DATE	DRAFTER	APPROVER
A1	DWG.REL	2020.05.22	DENG	JIN

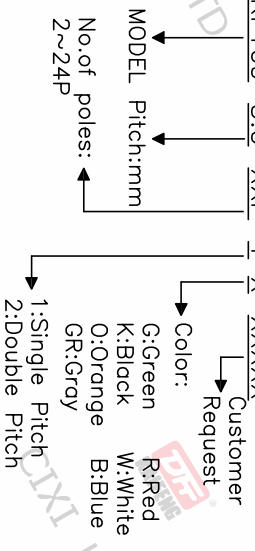


P.C.B.LAYOUT

- Material  
 ①Screws : M2.5 steel, Zinc plated,  
 “-” slot type  
 ②Housing : PA66, UL94V-0  
 ③Clamp : Copper alloy, Ni plated  
 ④Pin header : Copper alloy, Tin plated
- Electrical  
 UL IEC  
 Rated voltage : 300V 250V  
 Rated current : 15A 22A  
 Contact Resistance: 20mΩ  
 Insulation resistance: 500MΩ/DC500V  
 Withstanding Voltage : AC2000V/1min  
 Wire range: 22-14AWG 0.5-2.5mm<sup>2</sup>
- Mechanical  
 Operating temperature: -40°C ~ +105°C  
 Soldering temperature: 250°C ±5/5sec  
 Torque: 0.4N.m (3.54Lb.in)  
 Strip length: 5-6mm
- RoHS compliance

HOW TO ORDER

KF169-5.0-XXP-1 X-XXXXX



Pitch range	Nominal dimension range	PROJECTION
>0	>30	0.1/10
~6	~60	≤
~10	~100	±2°
~24	~150	
±0.15	±0.30	
±0.20	±0.50	
±0.30	±0.70	
±1.00	±1.30	

DRAWING TYPE	CUSTOMER DRAWING	SHEET	1 OF 1
SCALE	1:1		
DRAWING NO.	W15000772		

**DF** 慈溪市凯峰电子有限公司  
 CIXI KAIFENG ELECTRONICS CO.,LTD