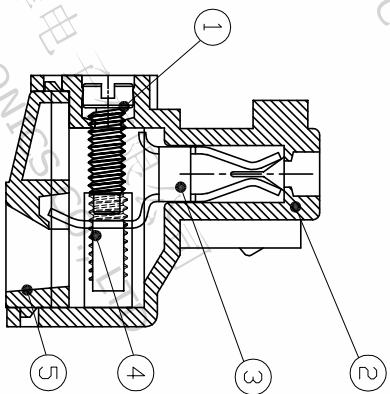
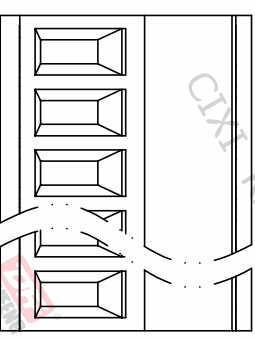
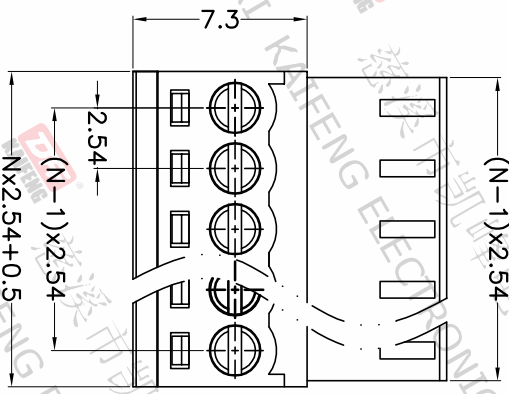
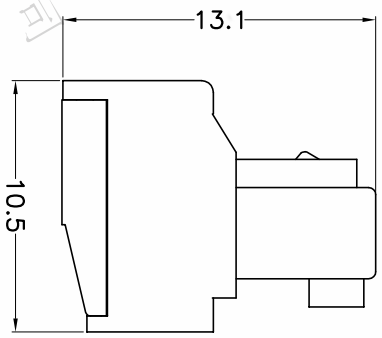
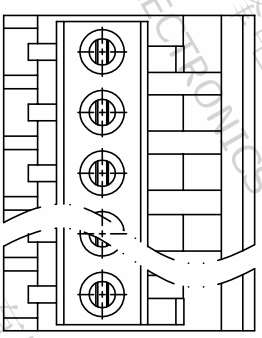


REV.	DESCRIPTION	DATE	DRAFTER	APPROVER
A1	DWG.REL	2020.6.02	ZHANG	JIN



慈溪市凯峰电子有限公司
CIXI KAIFENG ELECTRONICS CO., LTD



- Material
 - ①Screw : M1.6 steel, Zinc plated, *- slot type
 - ②Housing : PA66, UL94V-0
 - ③Contact : Copper alloy, Tin plated
 - ④Clamp : Copper alloy, Ni plated
 - ⑤Cover : PA66, UL94V-0

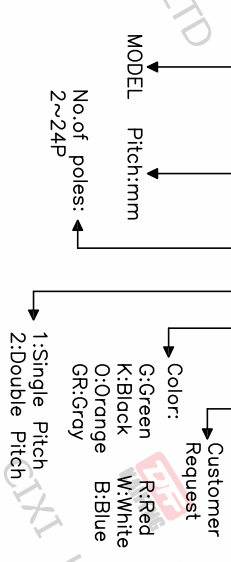
- Electrical

UL	IEC
Rated voltage : 150V	130V
Rated current : 5A	10A
Contact resistance : 20mΩ(Max)	
Insulation resistance : 500MΩ/DC500V	
Withstanding Voltage : AC1250V/1min	
Wire range : 24-20AWG 0.5mm ²	

- Mechanical
 - Operating temperature: -40°C ~ +105°C
 - Soldering temperature: 250°C ± 5 / 5sec
 - Torque: 0.1N.m (0.89lbf.in)
 - Strip length: 8mm

• RoHS compliance

HOW TO ORDER
KF12EY - 2.54 - XXP - 1 X - XXXXX



Pitch range	Nominal dimension range	PROJECTION
>0	>0	0.1/10
~6	~30	0.1/10
~10	~60	0.1/10
~24	~100	0.1/10
~30	~150	0.1/10
±0.15	±0.30	±2°
±0.20	±0.50	±2°
±0.30	±0.70	±2°
±1.00	±1.00	±2°
±1.30	±1.30	±2°

DRAWING TYPE	CUSTOMER DRAWING
SCALE	1:1
SHEET	1 OF 1
DRAWING NO.	W10001482

PROJECTION	TITLE
UNIT	mm
SHEET SIZE	A4
SERIES	KF12EY
	KF12EY-2.54-XXP-1X

DFE 慈溪市凯峰电子有限公司
CIXI KAIFENG ELECTRONICS CO.,LTD