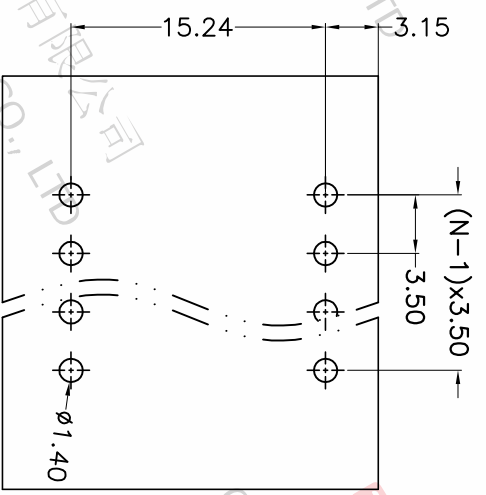
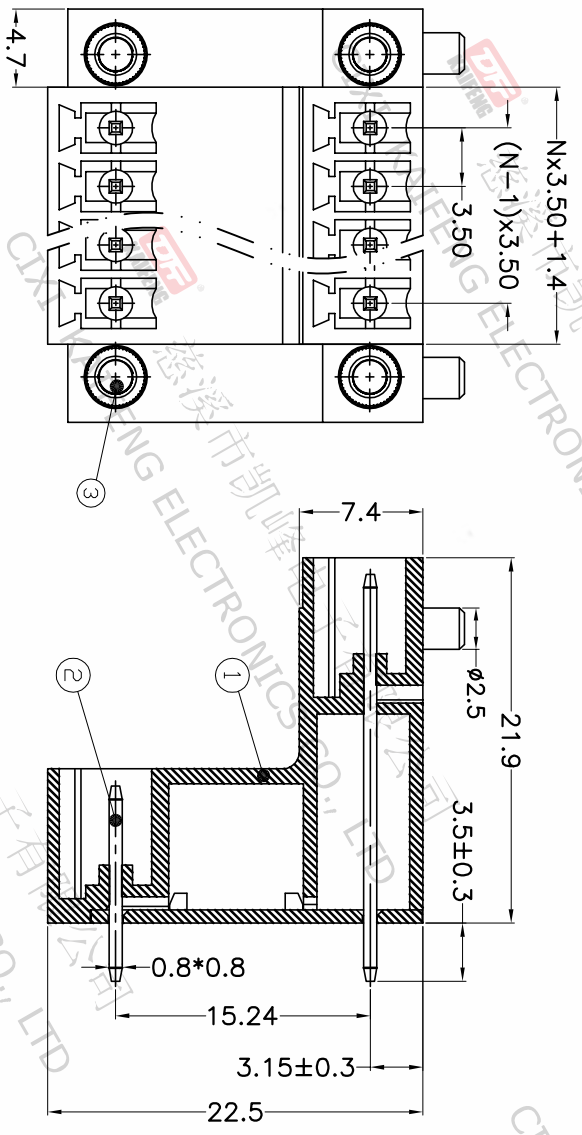


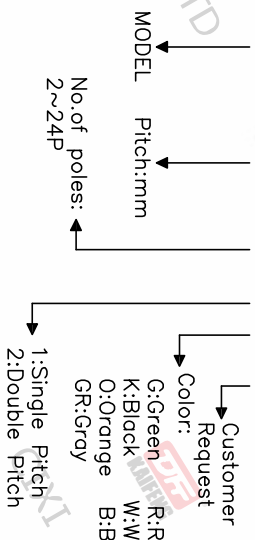
REV.	DESCRIPTION	DATE	DRAFTER	APPROVER
A1	DWG.REL	2020.6.02	ZHANG	JIN



P.C.B. LAYOUT

- Material
 @Housing : PA66, UL94V-0
 @Pin header : Copper alloy, Tin plated
 @Nut : M2.5, Copper alloy
- Electrical
 UL IEC
 Rated voltage : 300V 250V
 Rated current : 8A 7A
 Contact resistance : 20mΩ(Max)
 Insulation resistance: 500MΩ/DC500V
 Withstanding Voltage : AC1500V/1min
- Mechanical
 Operating temperature: -40°C ~ +105°C
 Soldering temperature: 250°C ±5/5sec
- RoHS compliance

HOW TO ORDER
 KF12ETVM-3.5-2*XXP-1 X-XXXXX



Pitch range	Nominal dimension range	PROJECTION	UNIT	TITLE
>0	>10	0.1/10	mm	KF12ETVM-3.5-2*XXP-1X
~6	~10			
~10	~24			
±0.15	±0.20	±0.30	±0.50	±0.70
			±1.00	±1.30
				±2*

DRAWING TYPE	CUSTOMER DRAWING	SHEET	1 OF 1
SCALE	1:1	SHEET	1 OF 1
DRAWING NO.	W10001412		

DF 慈溪市凯峰电子有限公司
 CIXI KAIFENG ELECTRONICS CO.,LTD