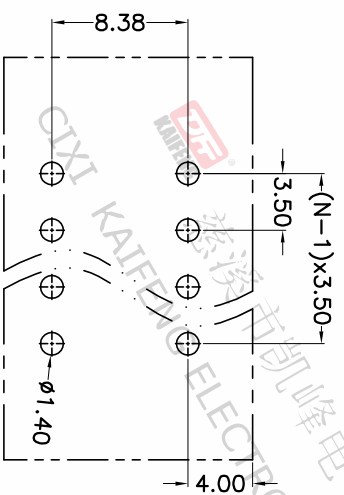
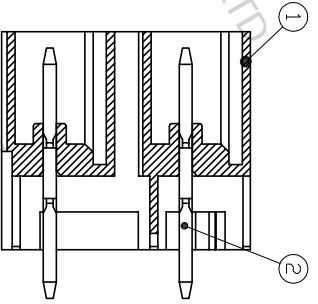
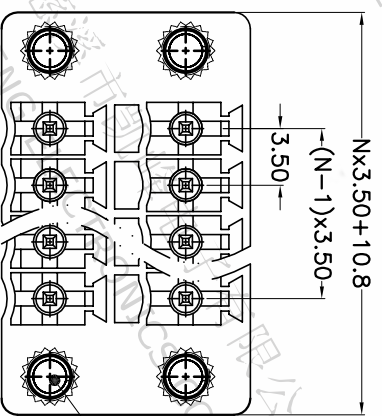
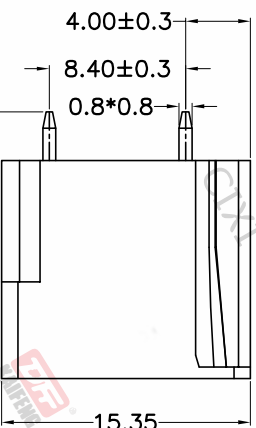


REV.	DESCRIPTION	DATE	DRAFTER	APPROVER
A1	DWG.REL	2020.6.02	ZHANG	JIN

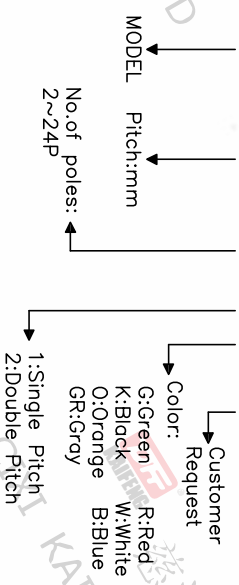


P.C.B. LAYOUT

- Material
 ØHousing : PA66, UL94V-0
 ØPin header : Copper alloy, Tin plated
 ØNut : M2.5, Copper alloy
- Electrical
 UL IEC
 Rated voltage : 300V 250V
 Rated current : 8A 7A
 Contact resistance : 20mΩ(Max)
 Insulation resistance: 500MΩ/DC500V
 Withstanding Voltage : AC1500V/1min
- Mechanical
 Operating temperature: -40°C ~ +105°C
 Soldering temperature: 250°C ±5 / 5sec
- RoHS compliance

HOW TO ORDER

KF12EKN-VM-3.5-2*XXP-1 X-XXXXX



Pitch range	Nominal dimension range	Projection	UNIT
>0	>0	0.1/10	mm
~6	~30		
~10	~60		
~24	~100		
~30	~150		
±0.15	±0.30	±2°	

DRAWING TYPE	SCALE	SHEET	TITLE
CUSTOMER DRAWING	1:1	1 OF 1	KF12EKN-VM-3.5-2*XXP-1X
DRAWING NO.			SHEET SIZE A4
			SERIES KF12EKN-VM

DF 慈溪市凯峰电子有限公司
CIXI KAIFENG ELECTRONICS CO.,LTD

