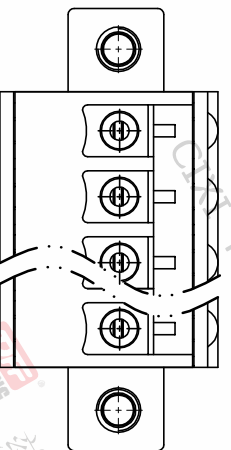
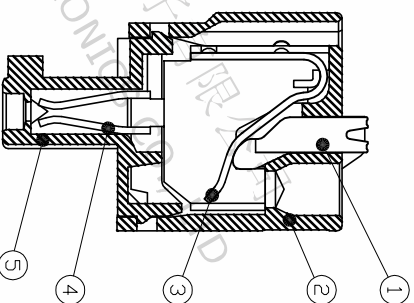
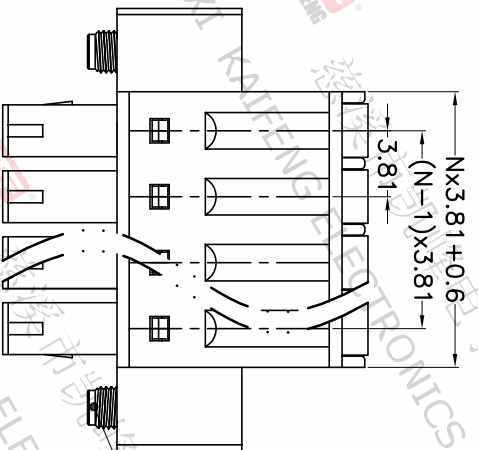
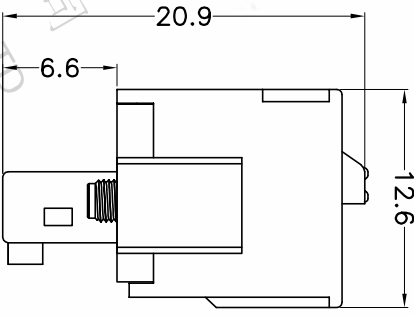
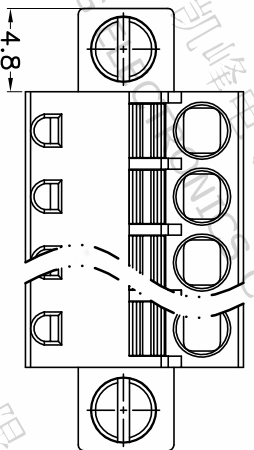


REV.	DESCRIPTION	DATE	DRAFTER	APPROVER
A1	DWG.REL	2020.6.10	ZHANG	JIN



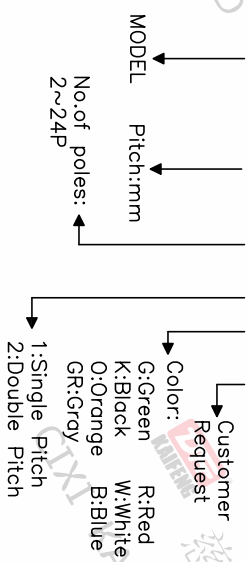
- Material
 - ØButton : PA66, UL94V-0
 - ØHousing : PA66, UL94V-0
 - ØReed : Stainless steel
 - ØContact : Copper alloy, Tin plated
 - ØCover : PA66, UL94V-0
 - ØScrew : M2.5 steel, Zinc plated

- Electrical
 - UL IEC
 - Rated voltage : 300V 250V
 - Rated current : 10A 7A
 - Contact resistance : 20mΩ(Max)
 - Insulation resistance: 500MΩ/DC500V
 - Withstanding Voltage : AC1500V/1min
 - Wire range: 24-16AWG 0.5-1.5mm²

- Mechanical
 - Operating temperature: -40°C ~ +105°C
 - Soldering temperature: 250°C ± 5 / 5sec
 - Strip length: 10mm

- RoHS compliance

HOW TO ORDER
KF12EKDM-3.81-XXP-1 X-XXXXX



Pitch range	Nominal dimension range	PROJECTION	UNIT
>0	>0	0.1/10	mm
~6	>30		
~10	~60		
~24	~100		
~30	~150		
±0.15	±0.30	±2°	
±0.20	±0.50		
±0.30	±0.70		
±1.00	±1.30		

DRAWING TYPE	CUSTOMER DRAWING
SCALE	1:1
DRAWING NO.	W10001232

TITLE	SHEET SIZE	SERIES
KF12EKDM-3.81-XXP-1X	A4	KF12EKDM

DF 慈溪市凯峰电子有限公司
CIXI KAIFENG ELECTRONICS CO.,LTD