

REV.	DESCRIPTION	DATE	DRAFTER	APPROVER
A1	DWG.REL	2020.6.10	ZHANG	JIN

CIXI KAIFENG ELECTRONICS CO., LTD

- Material
 - ①Screw : M2.0 steel,Zinc plated, "—" slot type
 - ②Housing : PA66, UL94V-0
 - ③Contact : Copper alloy,Tin plated
 - ④Clamp : Copper alloy, Ni plated
 - ⑤Cover : PA66, UL94V-0

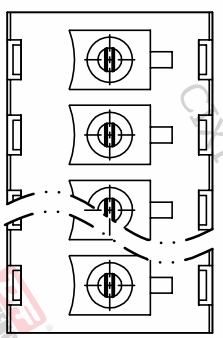
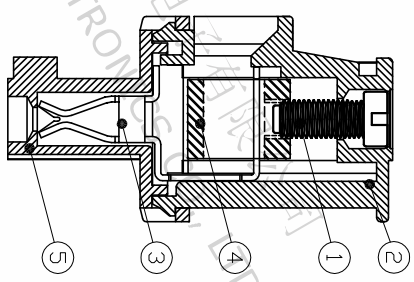
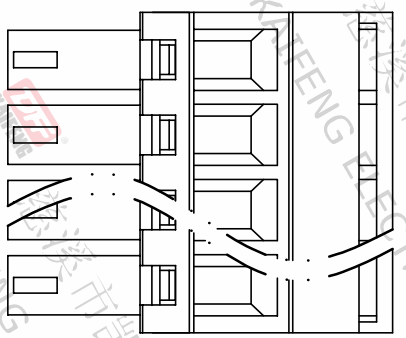
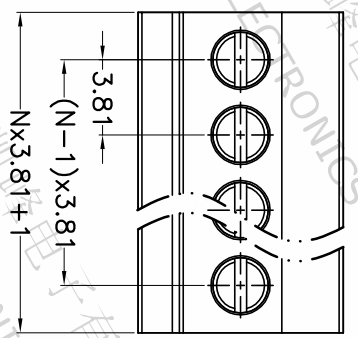
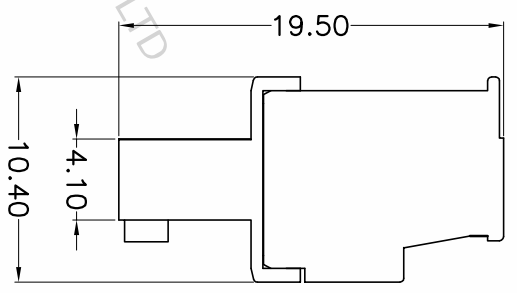
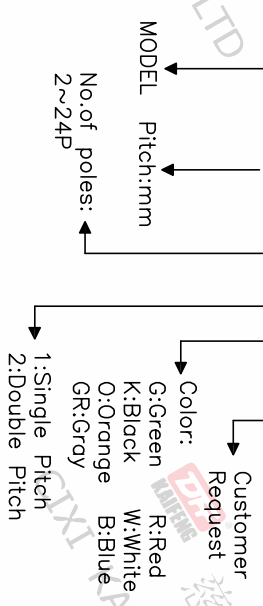
- Electrical
 - UL IEC
 - Rated voltage : 300V 250V
 - Rated current : 8A 7A

- Mechanical
 - Operating temperature: -40°C~+105°C
 - Soldering temperature: 250°C±5/5sec
 - Torque: 0.2N.m (1.77Lb.in)
 - Strip length: 6-7mm

- RoHS compliance

HOW TO ORDER

KF12EKA-3.81-XXP-1 X-XXXXX



Pitch range	Nominal dimension range	Projection	UNIT
>0	>0	0.1/10	mm
~6	~30		
~10	~60		
~24	~100		
±0.15	±0.30		±2°
	±0.50		
	±0.70		
	±1.00		
	±1.30		

DRAWING TYPE	CUSTOMER DRAWING
SCALE	1:1
SHEET	1 OF 1
DRAWING NO.	W10001142

PROJECTION	TITLE
UNIT	KF12EKA-3.81-XXP-1X
SHEET SIZE	A4
SERIES	KF12EKA

DFE 慈溪市凯峰电子有限公司
CIXI KAIFENG ELECTRONICS CO.,LTD

