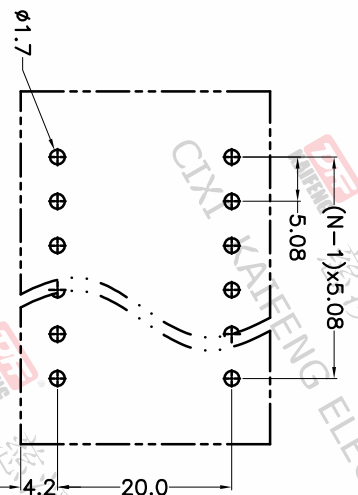
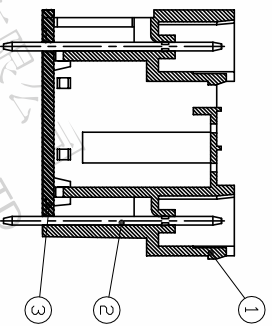
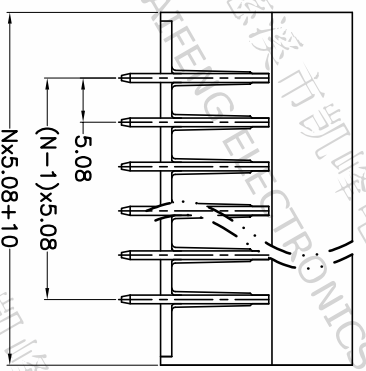
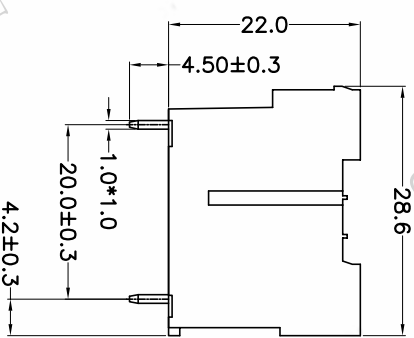
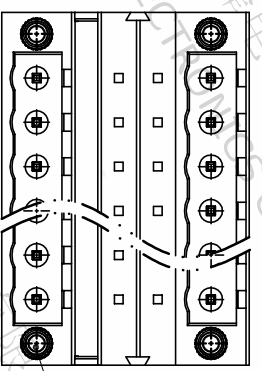


| REV. | DESCRIPTION | DATE      | DRAFTER | APPROVER |
|------|-------------|-----------|---------|----------|
| A1   | DWG.REL     | 2020.5.20 | ZHANG   | JIN      |



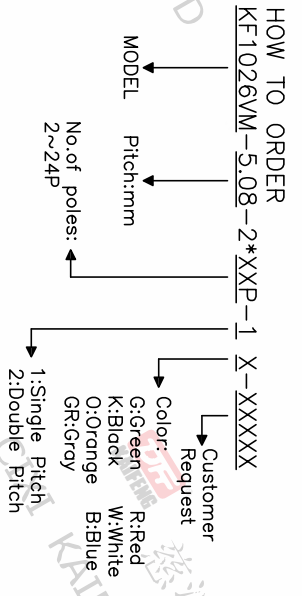
P.C.B.LAYOUT

| Pitch range | Nominal dimension range | PROJECTION |
|-------------|-------------------------|------------|
| >0          | >0                      | 0.1/10     |
| >6          | >30                     | □          |
| >10         | >60                     | □          |
| ~           | ~                       | □          |
| 6           | 30                      | □          |
| 10          | 60                      | □          |
| 24          | 100                     | □          |
| 30          | 150                     | □          |
| ±0.15       | ±0.30                   | ±2°        |
| ±0.20       | ±0.50                   | ±2°        |
| ±0.30       | ±0.70                   | ±2°        |
| ±0.50       | ±1.00                   | ±2°        |
| ±1.30       | ±1.30                   | ±2°        |

| DRAWING TYPE | CUSTOMER DRAWING |
|--------------|------------------|
| SCALE        | 1:1              |
| SHEET        | 1 OF 1           |
| DRAWING NO.  | W10001772        |

| PROJECTION | UNIT     | TITLE                  |
|------------|----------|------------------------|
| □          | mm       | KF1026VM-5.08-2*XXP-1X |
| □          | A4       | SHEET SIZE             |
| □          | A4       | SERIES                 |
| □          | KF1026VM |                        |

- Material  
 ①Housing : PA66, UL94V-0  
 ②Pin header : Copper alloy, Tin plated  
 ③Cover : PA66, UL94V-0  
 ④Nut : M2.5,Copper alloy
- Electrical  
 UL IEC  
 Rated voltage : 300V 320V  
 Rated current : 15A 20A  
 Contact resistance : 20mΩ(Max)  
 Insulation resistance : 500MΩ/DC500V  
 Withstanding Voltage : AC2000V/1min
- Mechanical  
 Operating temperature: -40°C ~ +105°C  
 Soldering temperature: 250°C ±5/5sec
- RoHS compliance



**DF** 慈溪市凯峰电子有限公司  
 CIXI KAIFENG ELECTRONICS CO.,LTD