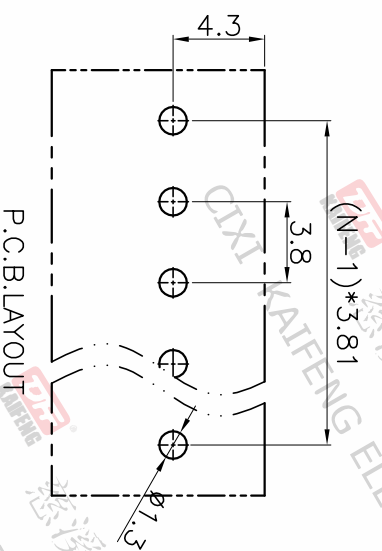
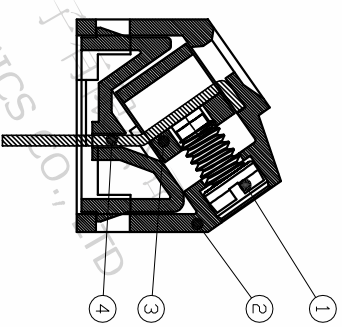
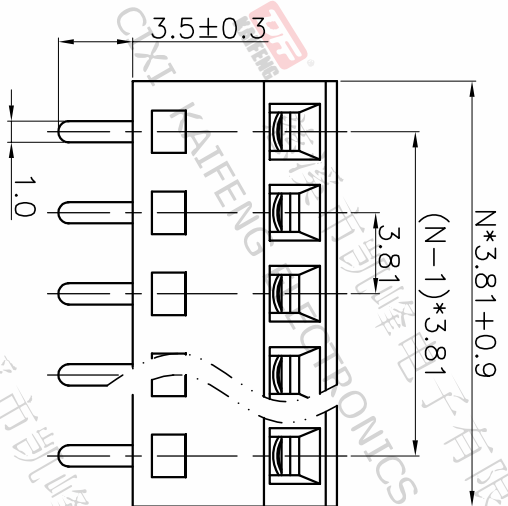
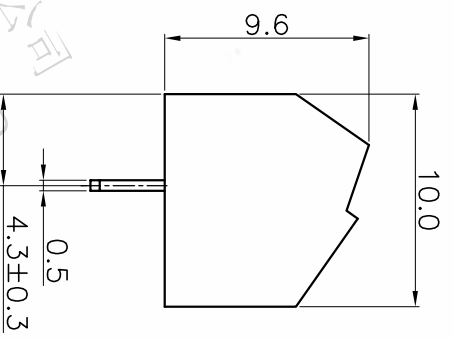
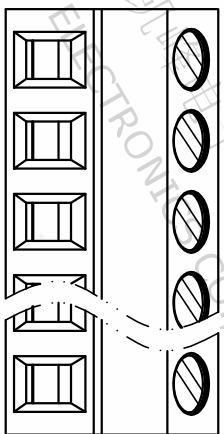


REV.	DESCRIPTION	DATE	DRAFTER	APPROVER
A1	DWG.REL	2020.05.18	DENG	JIN



P.C.B. LAYOUT

Pitch range	Nominal dimension range	PROJECTION
>0	>30	0.1/10
~6	~>100	□
~10	~>150	□
~24	~>150	□
±0.15	±0.30	±2°
±0.20	±0.30	±2°
±0.30	±0.50	±2°
±0.70	±1.00	±2°
±1.30	±1.30	±2°

DRAWING TYPE	CUSTOMER DRAWING	SHEET	1 OF 1
SCALE	1:1	SHEET	1 OF 1
DRAWING NO.	W15000322		

**DFE** 慈溪市凯峰电子有限公司  
CIXI KAIFENG ELECTRONICS CO.,LTD

- Material
  - ①Screws : M2.0 steel, Zinc plated,
  - ②slot type
  - ③Housing : PA66, UL94V-0
  - ④Clamp : Copper alloy, Ni plated
  - ⑤Pin header : Copper alloy, Tin plated
- Electrical
  - UL IEC
  - Rated voltage : 300V 130V
  - Rated current : 10A 10A
  - Contact resistance : 20mΩ(Max)
  - Insulation resistance: 500MΩ/DC500V
  - Withstanding Voltage : AC1500V/1min
  - Wire range: 24-16AWG 1.5mm<sup>2</sup>
- Mechanical
  - Operating temperature: -40°C~+105°C
  - Soldering temperature: 250°C±5/5sec
  - Torque: 0.2N.m (1.77Lb.in)
  - Strip length: 4-5mm
- RoHS compliance

HOW TO ORDER  
KF102-3.81-XXP-1 X-XXXXX

MODEL Pitch:mm  
No. of poles: 2~24P

Color: Request  
G:Green R:Red  
K:Black W:White  
O:Orange B:Blue  
GR:Gray

1:Single Pitch  
2:Double Pitch

1 2 3 4 5 6 7 8

H G F E D C B A