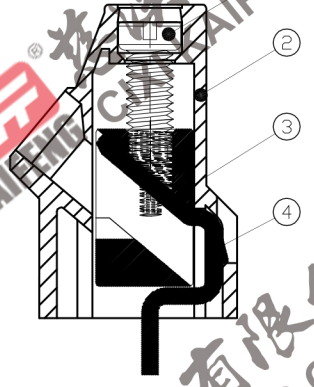
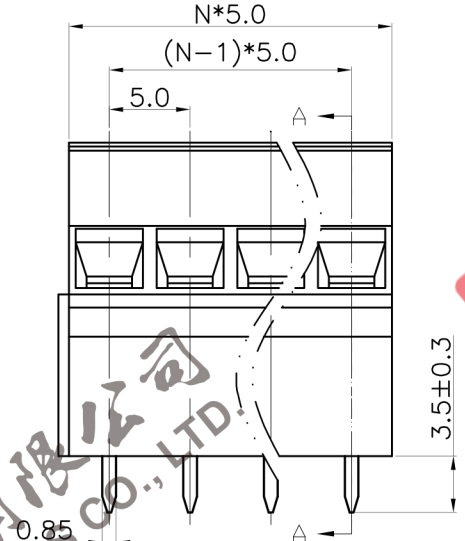
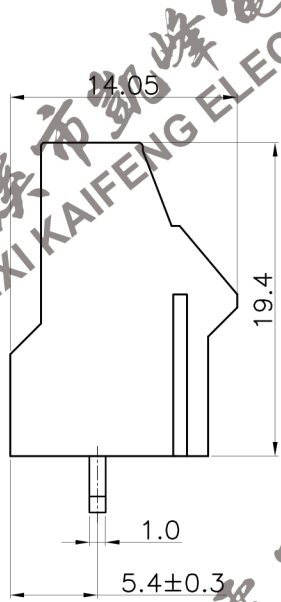
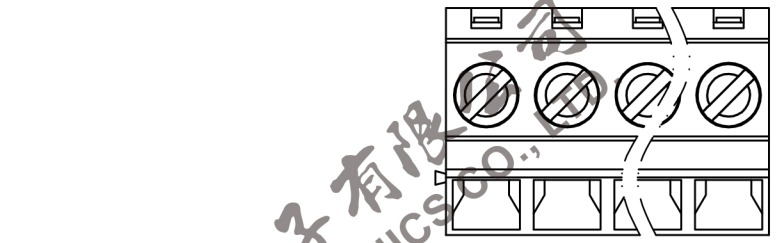


REV.	DESCRIPTION	DATE	DRAFTER	APPROVER
V1.0	DWG.REL	2023.7.22	ZHANG	JIN



SECTION A-A

- Material
 - ØScrew : M3.0 steel, Zinc plated, *-* slot type
 - ØHousing : PA66, UL94V-0
 - ØClamp : Copper alloy, Ni plated
 - ØPin header : Copper alloy, Tin plated

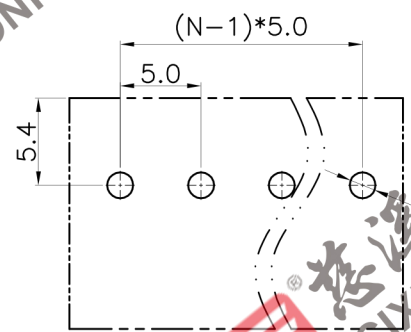
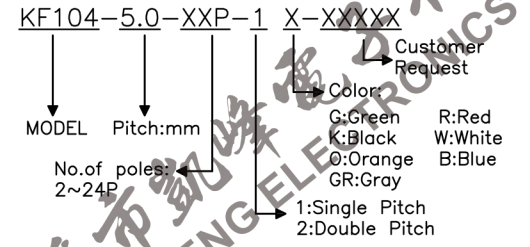
- Electrical

UL	IEC
Rated voltage : 300V	250V
Rated current : 10A	24A
Contact resistance : 20mΩ(Max)	
Insulation resistance : 500MΩ/DC500V	
Withstanding Voltage : AC2000V/1min	
Wire range : 24-14AWG	0.2-2.5mm ²

- Mechanical
 - Operating temperature: -40°C ~ +105°C
 - Soldering temperature: 250°C ± 5/5sec
 - Torque : 0.5N.m (4.43Lb.in)
 - Strip length: 6-7mm

• Conform to REACH and RoHS

HOW TO ORDER



P.C.B.LAYOUT

Pitch range	Nominal dimension range	PROJECTION	TITLE
>0	>0	UNIT	KF104-5.0-XXP-1X
>6	>30	SHEET SIZE	A4
>10	>60	SERIES	KF104
>24	>100		
>30	>150		
±0.15	±1.00		
±0.20	±1.30		
±0.30	±2*		
±0.30			
±0.50			
±0.70			
±1.00			
±1.30			
±2*			
DRAWING TYPE		CUSTOMER DRAWING	
SCALE		1:1 SHEET 1 OF 1	
DRAWING NO.		W15000342	

慈溪市凯峰电子有限公司
CIXI KAIFENG ELECTRONICS CO.,LTD